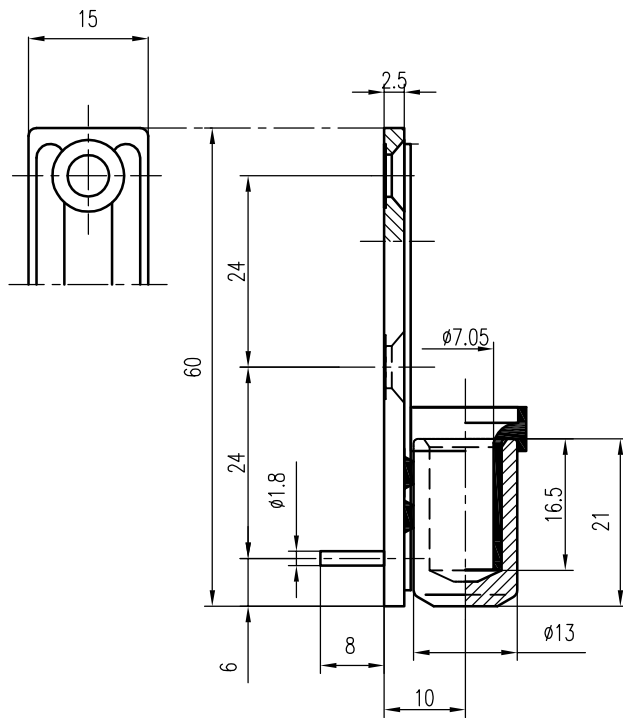
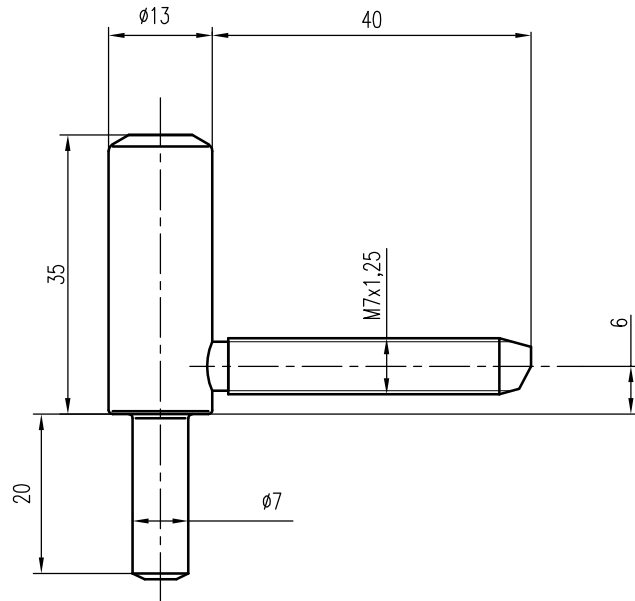


Angle tolerance					Length tolerance						
Arm length	>10	>10-50	>50-120	>120-400	Section length	>3	>3-6	>6-10	>10-30	>30-120	>120
Dimension without tolerance	±1'	±30'	±20'	±10'	Dimension without tolerance	±0,10	±0,15	±0,18	±0,25	±0,35	±0,75
Toler. for approx. dimension	±4'	±2'	±1'	±30'	Toler. for approx. dimension	±0,50	±0,60	±0,75	±1,0	±1,7	±3,0



p.F	695-01-00/F
p.M	695-02-00/J

				Ref: D 695-00-00/L
				Weight: 0,081 kg
				CEMOM <i>moatti</i> <input type="checkbox"/> POL SOFT
P.O	26.09.2023	D.J	Creation of the plan	28 Allée du plateau 93250 Villemomble Tel. +33.1.49.35.08.54 Fax: +33.1.49.35.08.52
Index	Date	By	Plan changes	Pol-Soft Sp. z oo Dział Handlowy Tel. 67 263 22 46 Fax: +48 67 263 30 09
	Scale: 1:1	Range: Hinge	Material: Steel	Designed by: D.J
D 695-00-00/L				Verified by: A.B
This document is the property of the enterprise CEMOM MOATTI/POLSOFT, IT CAN'T BE COMMUNICATED WITHOUT HIS AUTHORIZATION				